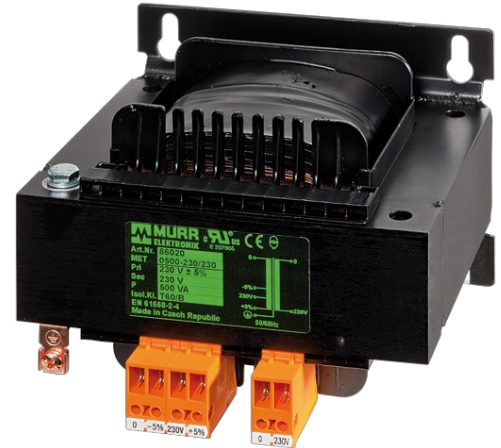


MET 1-PHASE CONTROL AND ISOLATION TRANSFORMER

P: 1500VA IN: 400VAC+/- 5% OUT: 230VAC

Single-phase - Control and Isolation Transformers
 1500 VA
 Spring clamp terminals
 Isolation class T 60/B

Illustration

Product may differ from Image

Approvals**Input**

Input voltage	400 V AC $\pm 5\%$
Frequency	50...60 Hz
Input current	3.97 A (400 V AC)
Short-circuit current	201.5 A (400 V AC)
Inrush current	50 A (400 V AC)

Output

Output voltage	230 V AC
Output rating	1500 VA

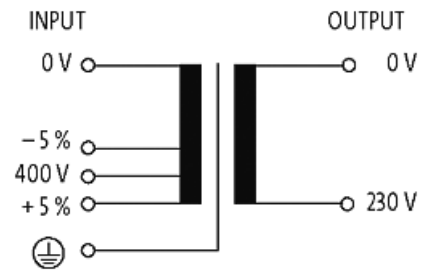
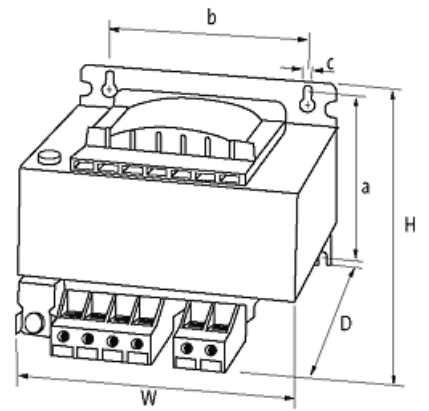
General data

Standards	EN 61558-1, EN 61558-2-4, EN 62041 category 0
Dimensions H×W×D	168×174×162 mm
Fixing centers a×b×c	141.5×135×7 mm
Drill hole \varnothing	7×11 mm
Mounting method	Key-hole mounting
Temperature range	-20...+60 °C (storage temperature -40...+80 °C)

Commercial data

country of origin	CZ
customs tariff number	85043200

EAN	4048879066334
eClass	27031302
Packaging unit	1

Sketch

Product may differ from Image